

Fostex®

FULL RANGE SPEAKER UNIT

FE108EΣ

Features

- HP (Hyperbolic Paraboloid) shell diaphragm
- 'ES cone' paper made of banana plant's fiber
- UDR tangential edge / damper
- \varnothing 90mm large ferrite magnet

Specifications

&

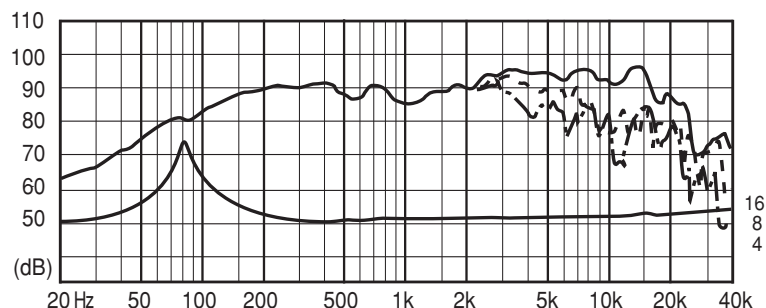
Thiele/Small Parameters

Size	:	100 mm / 4 in
Voice Coil Diameter	:	20 mm / 0.8 in
Cast / Stamped	:	Cast
Impedance	:	8 Ω
Reproduction Frequency Response	:	fs - 23 kHz
Sound Pressure Level	:	90 dB/W(m)
Rated Input	:	8 W
Music Power	:	24 W
Magnet Material	:	Ferrite
Magnet Weight	:	
(main)	:	400 g / 0.882 lb
(cancel)	:	g / lb
Net Weight	:	1,200 g / 2.646 lb

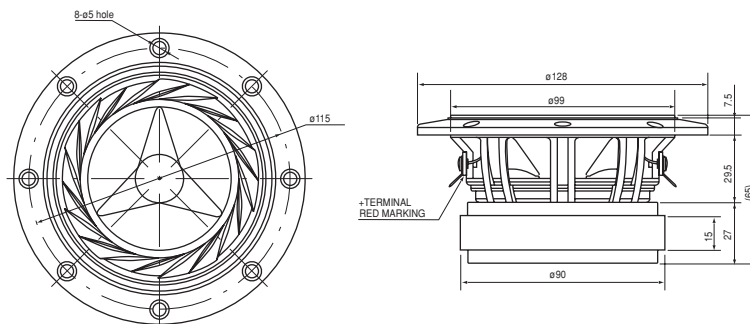
a	:	40 mm
D	:	69.2 mm
Sd	:	0.005 m ²
Zn	:	8 Ω
Fs	:	77 Hz
Re	:	6.8 Ω
Le	:	0.038 mH
Qms	:	7.79
Qes	:	0.32
Qts	:	0.3
Mms	:	2.7 g
BL	:	5.2 Telsa/m
Vas	:	5.7 L
Xmax	:	0.28 mm
Eff/ η 0	:	0.78 %
Cms	:	1.59 mm/N
EBP	:	240.63



Frequency Response / Impedance



Dimensions & Mounting Information



Overall Diameter	:	128 mm / 5.1 in
Baffle Hole Diameter	:	99 mm / 3.9 in
Depth	:	102 mm / 4.1 in
	:	65 mm / 2.6 in

