

FOSTEX®

FW405N

Features

- Newly developed aluminum die-cast frame based on the strength analysis by the fine-element method.
- Stronger magnetic circuit using $\varnothing 200\text{mm}$ ferrite magnet is equipped for higher input durability and larger amplitude driving.
- Oval mounting hole can be adjusted between $\varnothing 370 - \varnothing 375\text{mm}$. FW405N has the compatibility with not only FOSTEX old 15" drivers but some famous woofers' replacements.
- Hybrid cone paper, the porous super damping fiber + carbon fiber mixed into tree pulp basis material, is used to realize the light weight & high stiffness diaphragm.



Specifications

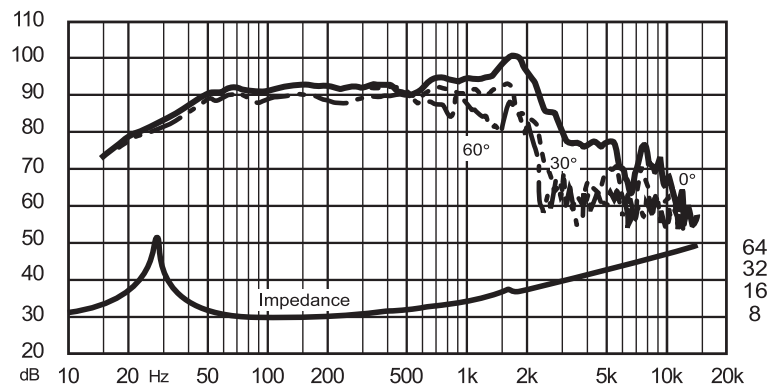
&

Thiele/Small Parameters

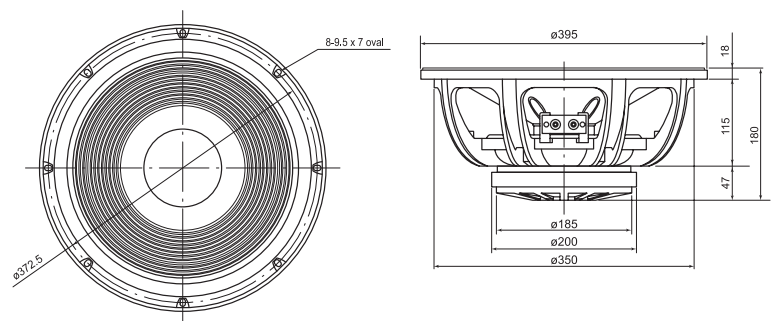
Size	:	395 mm / 15 in
Voice Coil Diameter	:	80 mm / 3.1 in
Cast / Stamped	:	Cast
Impedance	:	8 Ω
Reproduction Frequency Response	:	fs - 2.5 kHz
Sound Pressure Level	:	92.5 dB/W(m)
Rated Input	:	50 W
Music Power	:	150 W
Magnet Material	:	Ferrite
Magnet Weight	:	2,290 g / 5.04 lb
Net Weight	:	10,000 g / 22.0 lb

a	:	168.5 mm
Sd	:	0.089 m ²
Zn	:	8 Ω
Fs	:	27 Hz
Re	:	6.89 Ω
Le	:	0.64 mH
Qms	:	6.76
Qes	:	0.478
Qts	:	0.45
Mms	:	100.8 g
BL	:	15.7 Telsa/m
Vas	:	392.5 L
Xmax	:	7.9 mm
Eff/ η_0	:	1.57 %
Cms	:	0.344 mm/N
EBP	:	56.5

Frequency Response / Impedance



Dimensions & Mounting Information



Overall Diameter	:	395 mm / 15 in
Baffle Hole Diameter	:	350 mm / 13 in
Depth	:	180 mm / 7.0 in