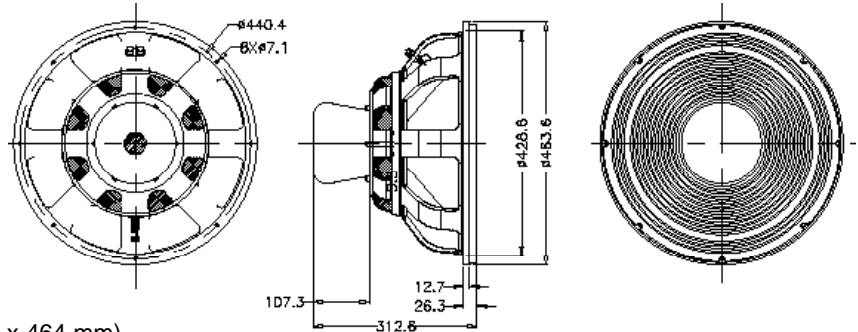


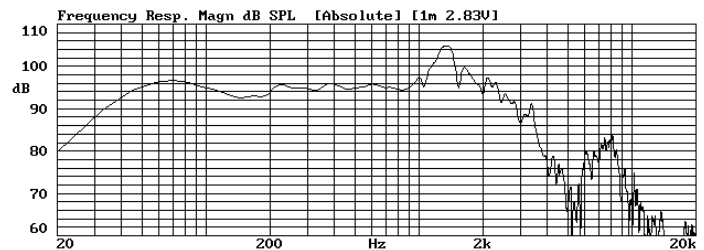
18" Subwoofer

- **High Power/High Output**
- **High Excursion**
- **NO Stray Magnetic Fields**

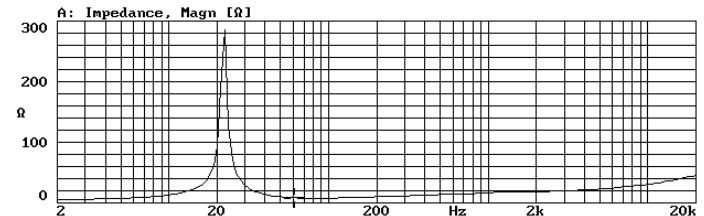


| | |
|---------------------------------|----------------------------------|
| Nominal Diameter (Ø) | 18 inches (464 x 464 mm) |
| Nominal Impedance (Z) | 8 Ohms |
| Sensitivity, 1W/1m (E) | 96 dB |
| Power Capacity, RMS (Pe) | 800 W |
| Power Capacity, Peak | 3200 W |
| Frequency Range (-10dB) | Fo - 2 kHz |
| Minimum Impedance | 8 Ohms |
| Voice Coil Diameter (Ø) | 99.1 mm |
| Voice Coil Winding Length (h) | 25 mm |
| Voice Coil Number of Layers (n) | 1 |
| Voice Coil Former Material | Fiberglass |
| Voice Coil Wire Composition | Edgewound aluminum ribbon |
| Magnetic Material | Neodymium radial |
| Stray Flux Shielding | Inherent |
| Magnetic Gap Depth (He) | 50 mm |
| Cone Material | Paper/fiberglass/epoxy |
| Surround Material | Polyester weave |
| Polarity, Outward Motion | Positive voltage on (+) terminal |
| Net Weight | 13.5 kg (29.6 lb) |

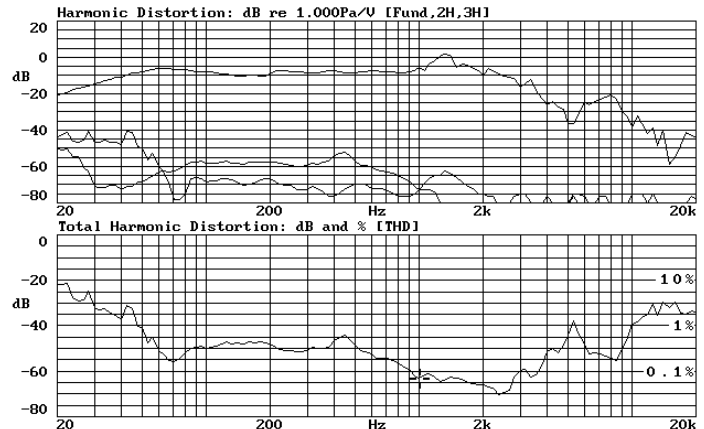
Frequency Response (1W, 1m)



Impedance



Distortion (1W, 1m)



Thiele / Small Parameters

| | |
|--------------------------------|----------------------|
| Resonant Frequency (Fo) - Fs | 25 Hertz |
| Voice Coil DC Resistance - Re | 5.6 Ohms |
| Total Q - Qts | 0.26 |
| Mechanical Q - Qms | 4.4 |
| Electrical Q - Qes | 0.28 |
| Equivalent Volume of Air - Vas | 475 L |
| Radiating Piston Area - Sd | 0.124 m ² |
| Linear Excursion - Xmax | 18 mm |

Electrical / Mechanical Parameters

| | |
|----------------------------|-------------------|
| Flux Density x Length - BL | 24.5 Tesla-meters |
| Compliance - Cms | 218 μm/N |
| Total Mass - Mms | 186 grams |