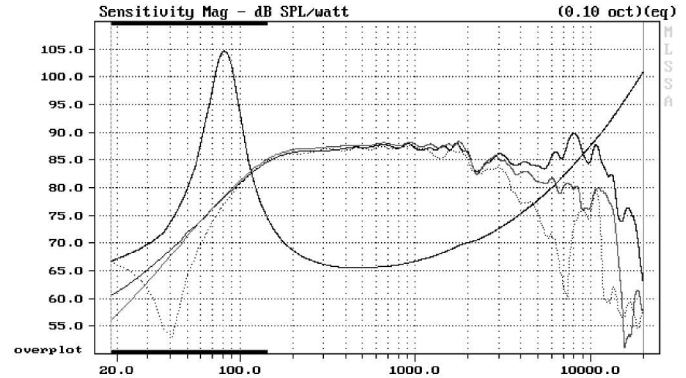
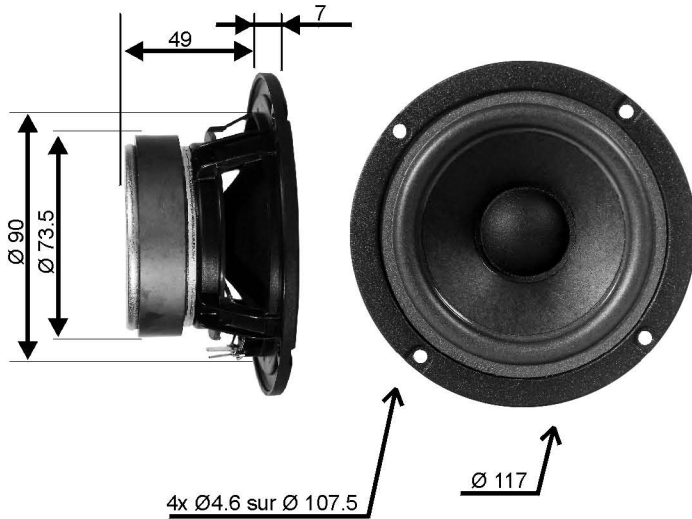


Non resonant high impact polymere chassis
Foam surround
High temperature voice coil



Nominal impedance... 6 ohms
Resonance 82.6 Hz
Power handling (IEC) 30 W
Sensitivity (2.83V/1m) ... 87.8 dB

Resistance (DC)..... 5.7 ohms
Inductance 0.54 mH
Xmax..... ± 2.7 mm
Qms..... 1.81
Qes 0.45
Qts..... 0.36
Vas..... 3.21 l

Voice coil diam..... 25 mm
Voice coil length..... 9.4 mm
Former..... aluminium
Layer(s)..... 2
Wire type..... round
Force factor 5.06 NA⁻¹
Moving mass..... 4.10 gr
Cone material paper
Suspension..... foam
Chassis polymer
Total mass..... 0.62 kg

