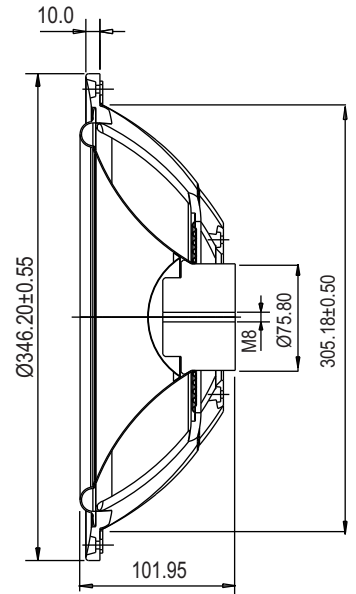
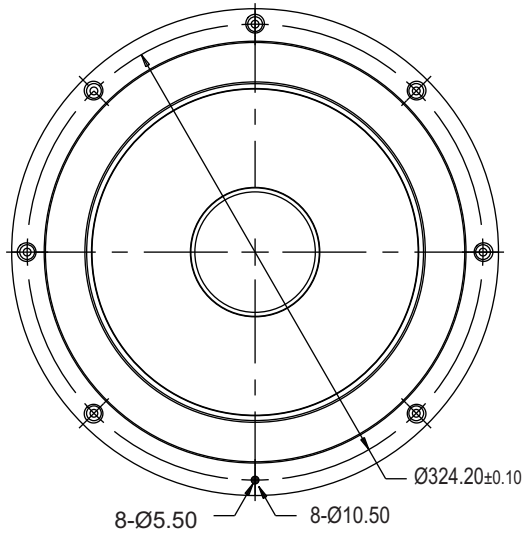


ACOUSTICS

12" SB34NRX-00



Specs :

Effective piston area, S_d	508 cm ²	Mechanical loss, R_{ms}	3 kg/s
Free air resonance, F_s	9.1 Hz	Mechanical Q-factor, Q_{ms}	11.7
Compliance, C_{ms}	0.5 mm/N	Equivalent volume, V_{as}	183 liters
Moving mass incl.air, M_{ms}	615 g	Net weight	2.45 kg

T/S parameters measured on drive units that are broken in.