

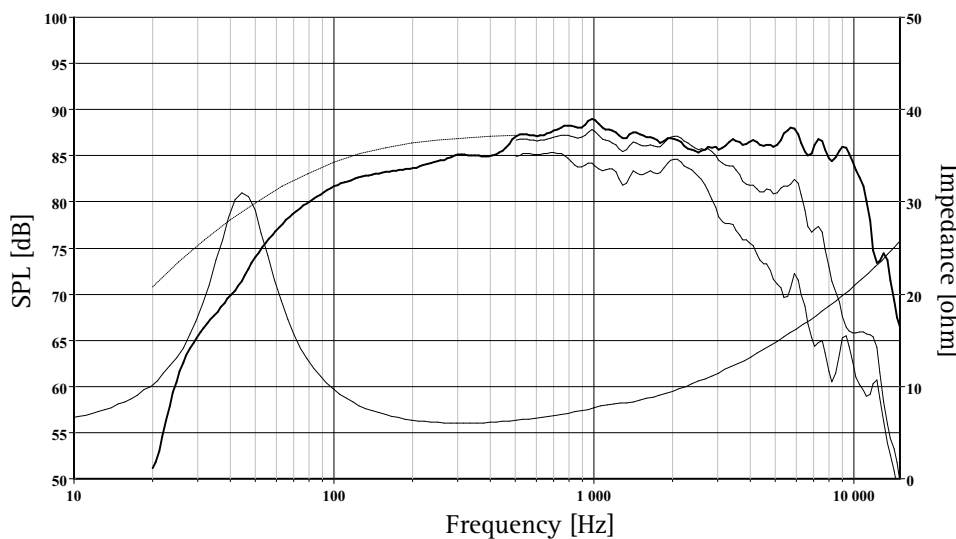
15 cm (5") cone driver, developed for use as a long throw high fidelity woofer or woofer/midrange unit.

Classical coated paper cone that gives a smooth extended frequency response with a controlled roll off.

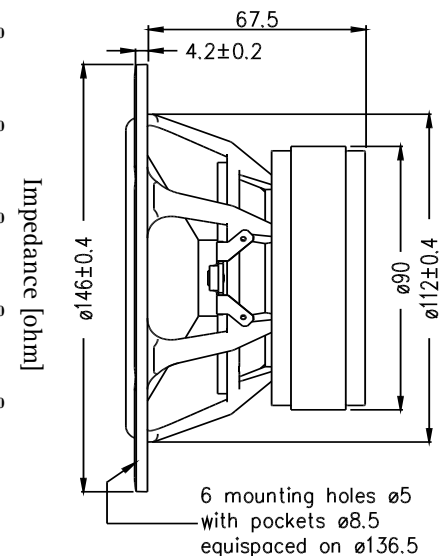
This driver uses SEAS SpiderRing® technology.

Large magnet system together with a very long and light weight CCAW voice coil allow good coil excursion with low distortion and good transient response.

Extremely stiff and stable injection moulded metal basket, that keeps the critical components in perfect alignment. Large windows in the basket both above and below the spider reduce sound reflection, air flow noise and cavity resonance to a minimum.



The frequency responses above show measured free field sound pressure in 0, 30, and 60 degrees angle using a 7L closed box. Input 2.83 V<sub>RMS</sub>, microphone distance 0.5m, normalized to SPL 1m. The dotted line is a calculated response in infinite baffle based on the parameters given for this specific driver. The impedance is measured in free air without baffle using a 2V sine signal.



Nominal Impedance	8 Ohms	Voice Coil Resistance	5.6 Ohms
Recommended Frequency Range	50 - 4000 Hz	Voice Coil Inductance	0.82 mH
Short Term Power Handling *	250 W	Force Factor	5.5 N/A
Long Term Power Handling *	60 W	Free Air Resonance	44 Hz
Characteristic Sensitivity (2,83V, 1m)	87.5 dB	Moving Mass	7.7 g
Voice Coil Diameter	26 mm	Air Load Mass In IEC Baffle	0.42 g
Voice Coil Height	16 mm	Suspension Compliance	1.7 mm/N
Air Gap Height	6 mm	Suspension Mechanical Resistance	1.19 Ns/m
Linear Coil Travel (p-p)	10 mm	Effective Piston Area	80 cm <sup>2</sup>
Maximum Coil Travel (p-p)	20 mm	VAS	14 Litres
Magnetic Gap Flux Density	1.1 T	QMS	1.88
Magnet Weight	0.42 kg	QES	0.42
Total Weight	1.29 kg	QTS	0.34