



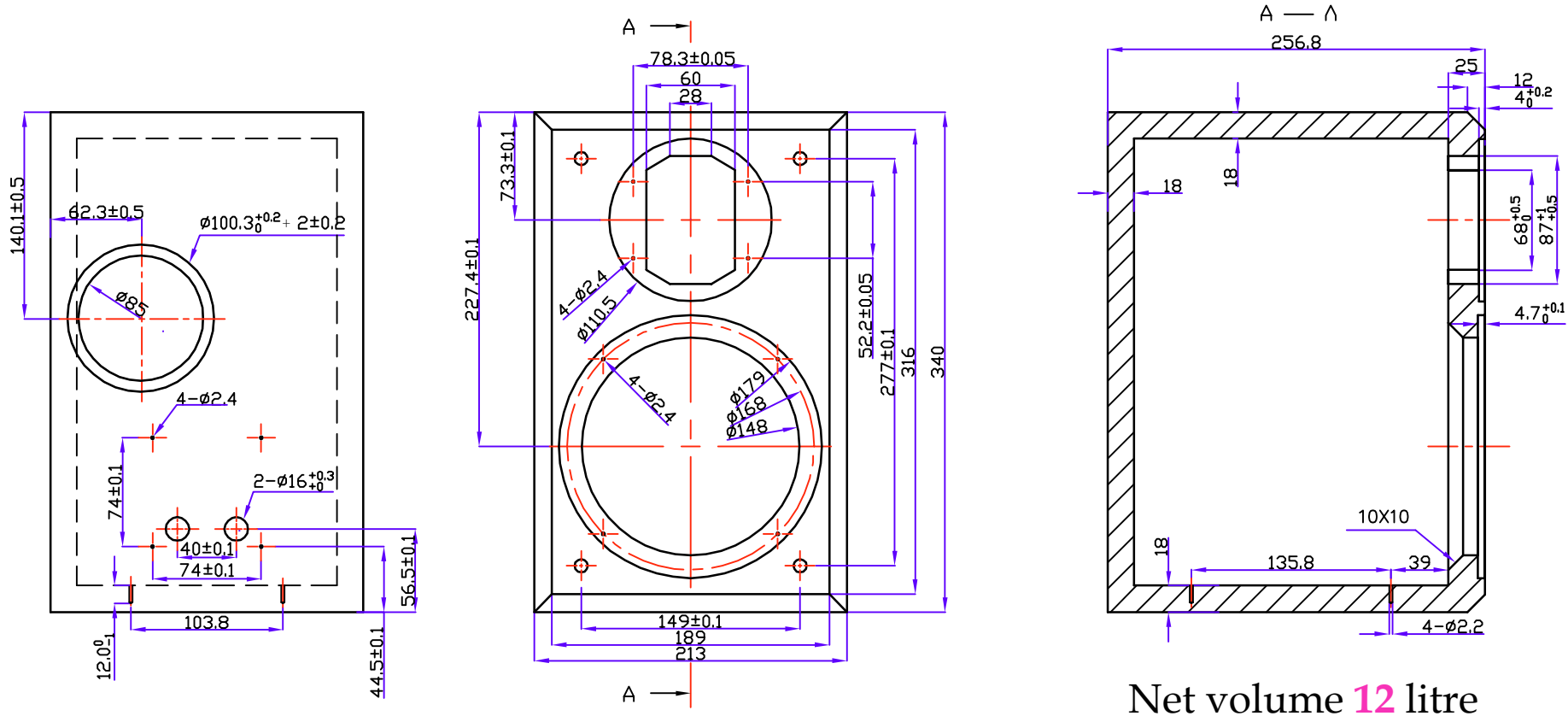
RM6K bookshelf speaker kit specification

Frequency response.....	50Hz-40KHz
Rated power.....	75W RMS *
Program power.....	150W
Sensivity.....	85dB/W/M
Harmonic distortion.....	0.4%
Crossover frequency.....	3.5KHz 3-order LPF & HPF
Recommended amplifier.....	150W-200W

* tested under IEC268-5 standard - 100 hours pink noise continuous

Part list

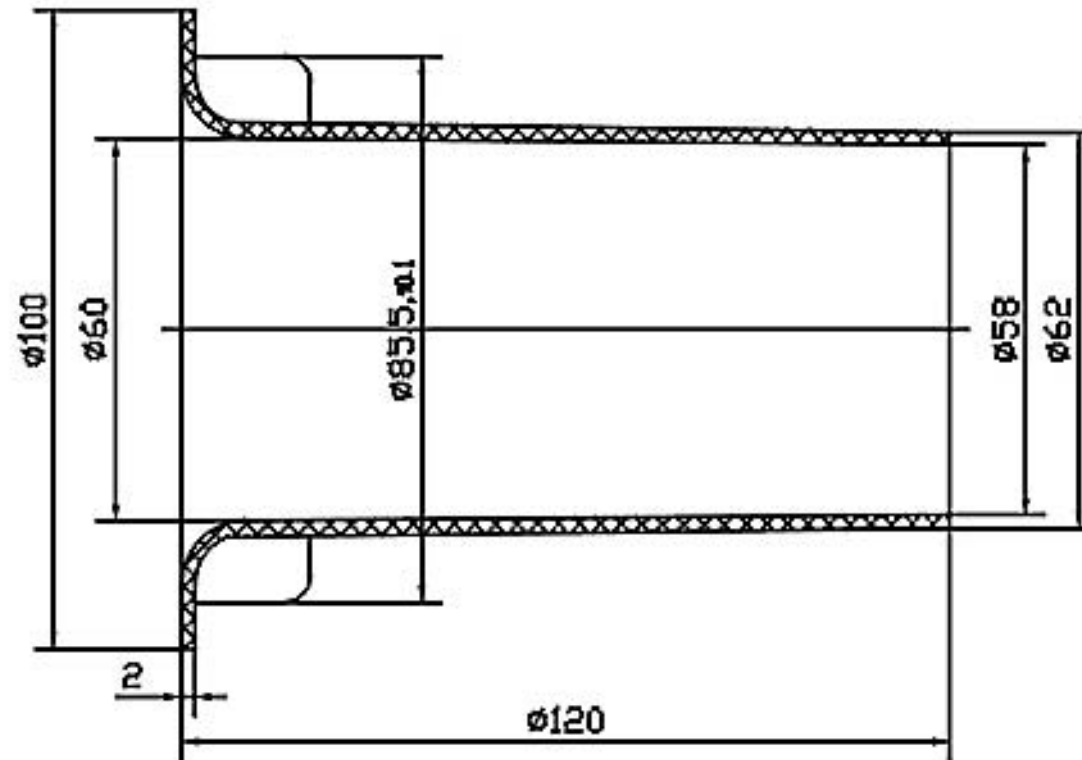
- 2 X NeoCD3.0 true ribbon tweeter
- 2 X FW168 midwoofer
- 2 X Assembled crossover
- 2 X bass reflex tube
- 2 X binding post plate
- Gasket, screws, wire, instructions



Net volume **12** litre

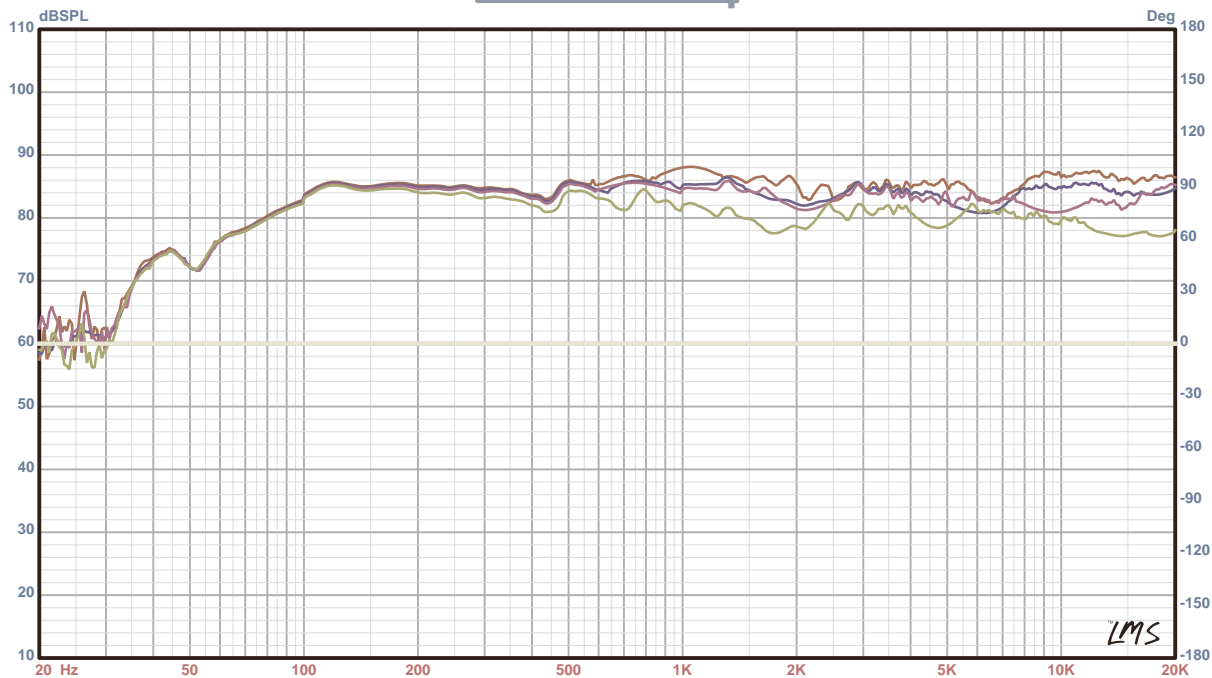
RM6K recommended bass reflex enclosure

25mm baffle MDF board and 18mm others, please choose high quality material for good sound quality.



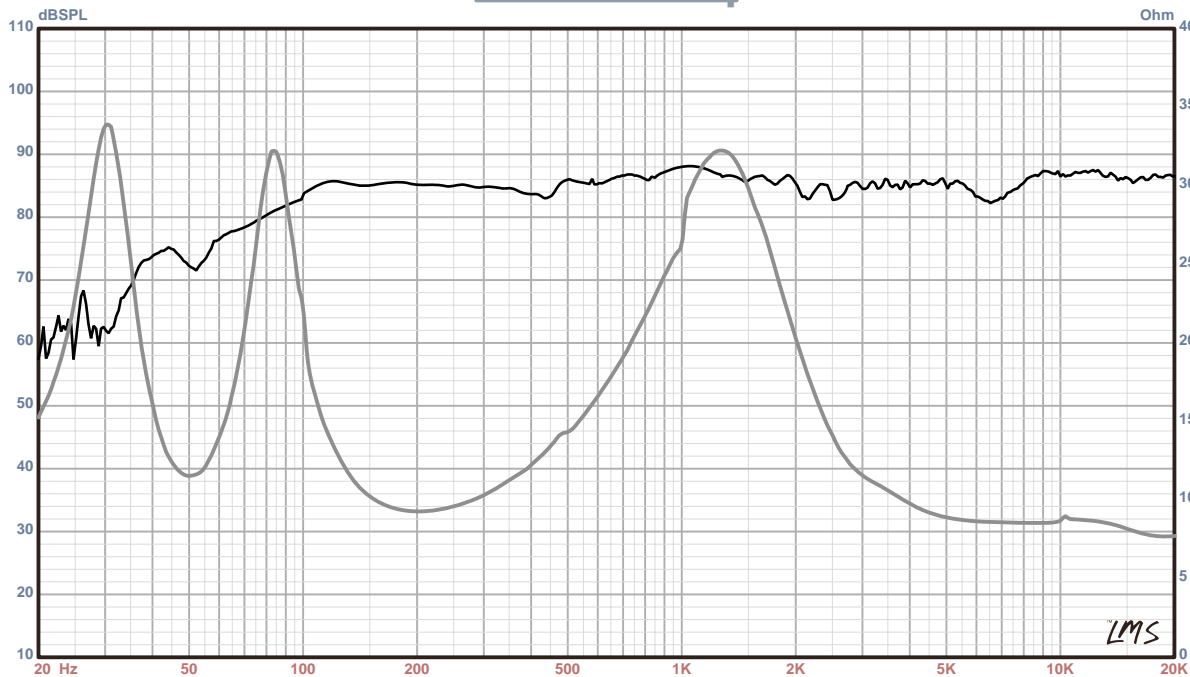
Bass reflex tube dimension

SPL vs Freq

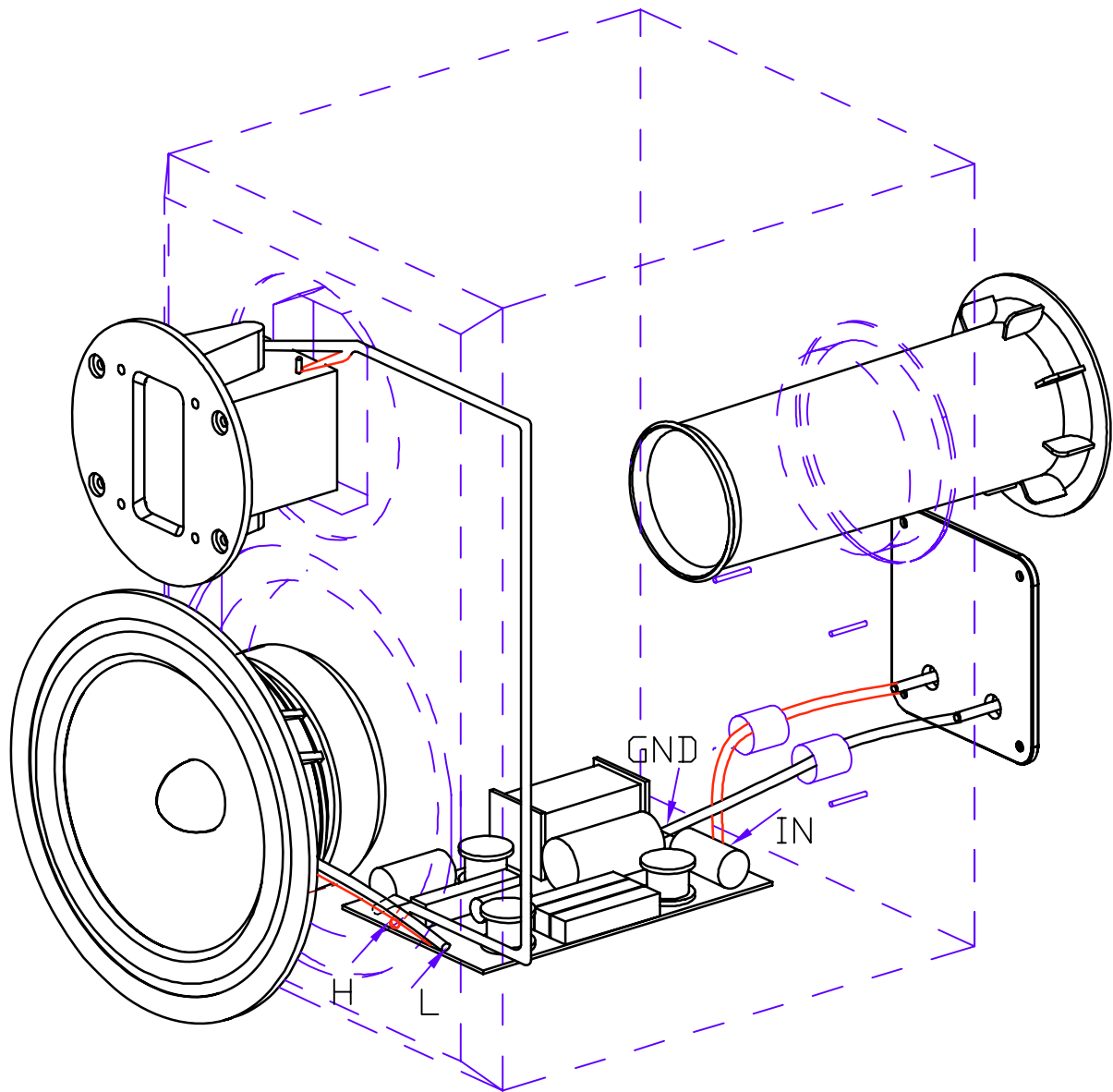


RM6K off-axis frequency response. on-axis, 15 degree, 30 degree, 60 degree

SPL vs Freq



Frequency Vs impedance



connection instruction