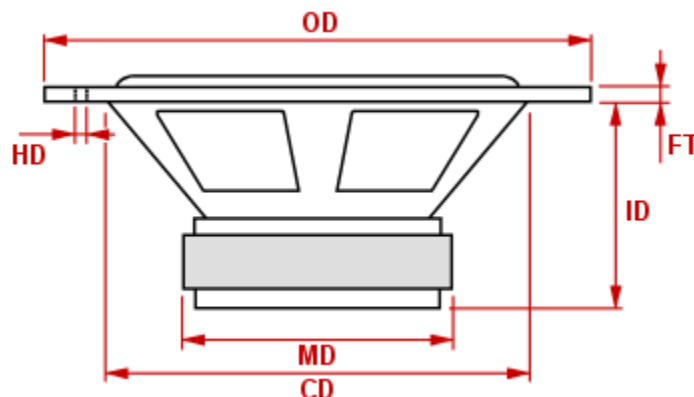




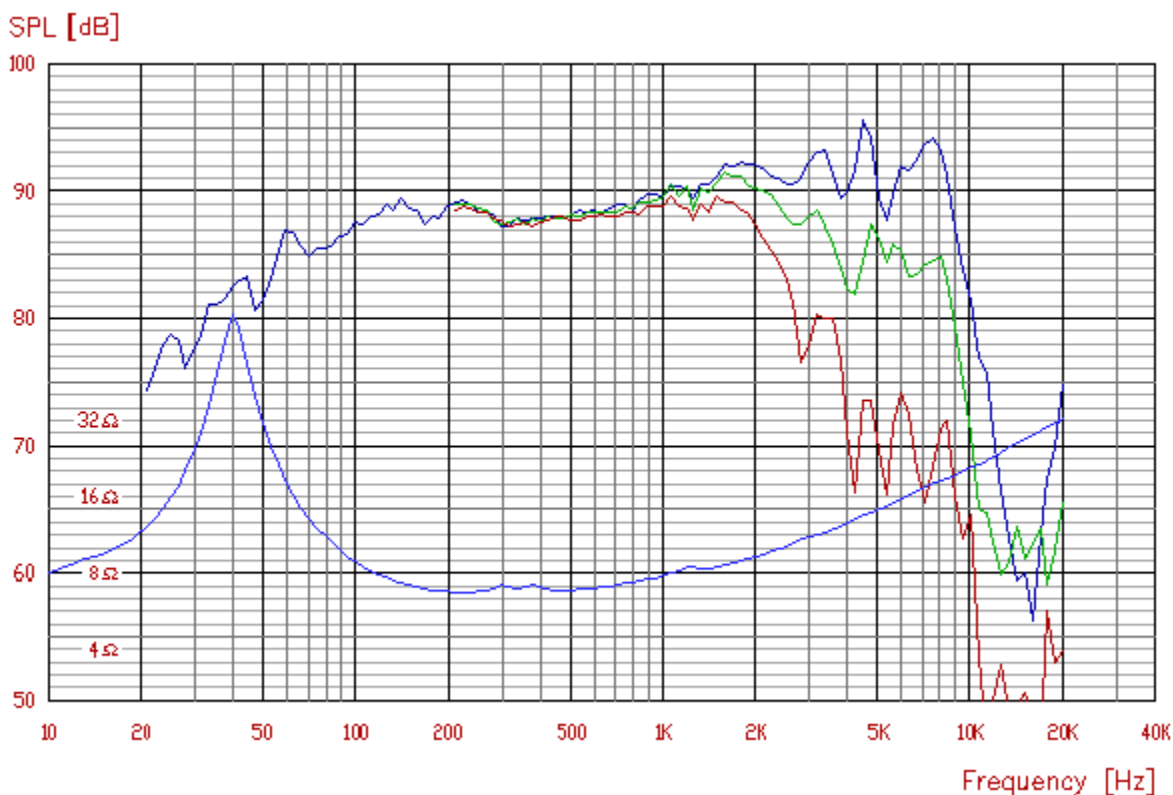
vifa

XT18W009-08

Nominal impedance [ohm]	8
Voice coil resistance [ohm]	5.8
Nominal power [W]	-
Short term max power [W]	-
Long term max power [W]	-
Operating power [W]	-
Sensitivity [dB]	88
Frequency range [Hz]	-
Free air resonance [Hz]	38
Voice coil diameter [mm]	25
Voice coil height [mm]	14
Air gap height [mm]	5
Voice coil inductance [mH]	0.54
Eff. diaphragm Area [cm ²]	129
Moving mass [g]	11.1
Magnet weight [g]/[oz]	-
Force factor [BI]	6.2
VAS [l]	38
Qms	5.87
Qes	0.39
Qts	0.37



OD:	180 mm	CD:	147 mm
FT:	1.7 mm	ID:	-
MD:	-	HD:	6xø5.2@ø163



Frequency response: 2.83V / 1m