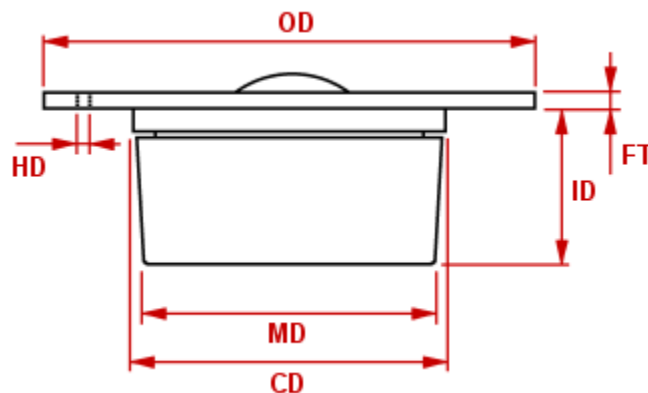




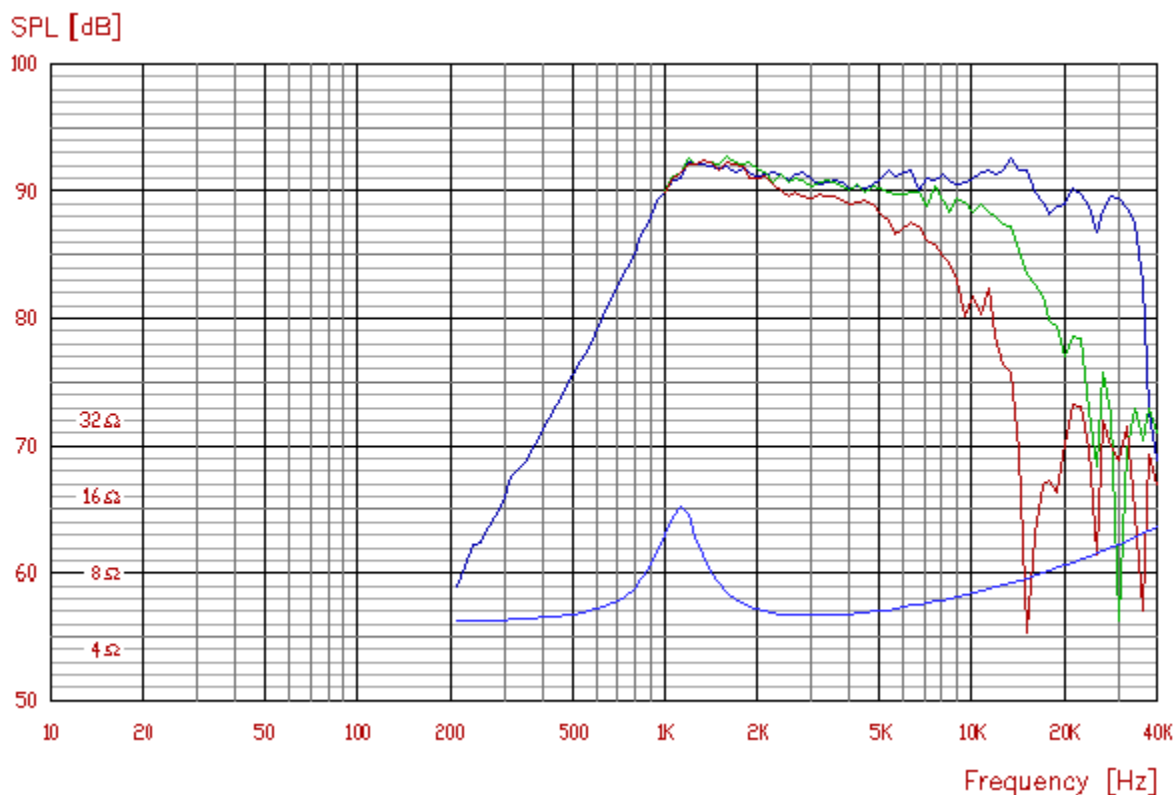
vifa

TC26SF05-06

Nominal impedance [ohm]	6
Voice coil resistance [ohm]	4.6
Nominal power [W]	80
Short term max power [W]	360
Long term max power [W]	180
Operating power [W]	4.7
Sensitivity [dB]	91
Frequency range [kHz]	3-22
Free air resonance [Hz]	1200
Voice coil diameter [mm]	25
Voice coil height [mm]	1.5
Air gap height [mm]	2.5
Voice coil inductance [mH]	-
Eff. diaphragm Area [cm ²]	7.1
Moving mass [g]	0.33
Magnet weight [g]/[oz]	104/3.7
Force factor [Bl]	2.5
VAS [l]	0.004
Qms	2.20
Qes	1.83
Qts	1.00



OD:	-	CD:	-
FT:	-	ID:	-
MD:	-	HD:	-



Frequency response: 2.83V / 1m