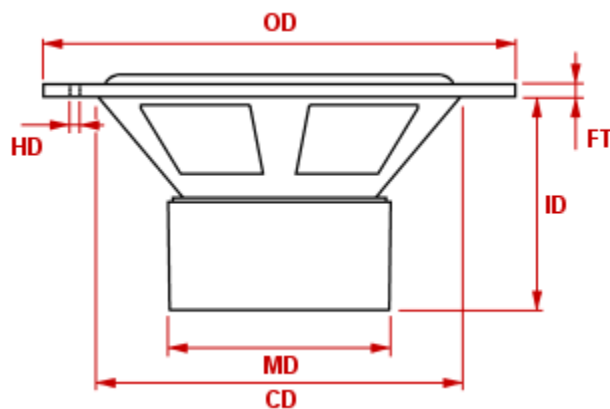




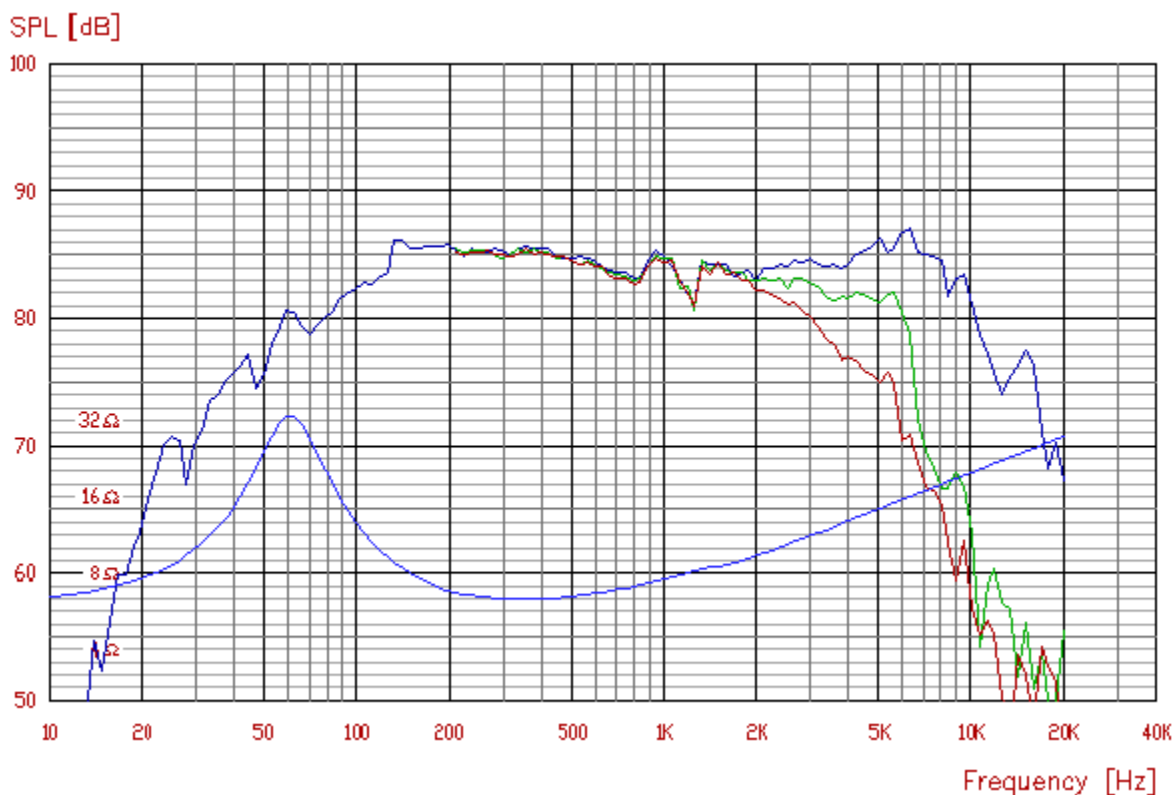
vifa

TC11SG49-08

Nominal impedance [ohm]	8
Voice coil resistance [ohm]	5.55
Nominal power [W]	20
Short term max power [W]	90
Long term max power [W]	60
Operating power [W]	12.6
Sensitivity [dB]	85
Frequency range [Hz]	60-5000
Free air resonance [Hz]	58
Voice coil diameter [mm]	25
Voice coil height [mm]	10
Air gap height [mm]	4
Voice coil inductance [mH]	0.60
Eff. diaphragm Area [cm ²]	58
Moving mass [g]	5.9
Magnet weight [g]/[oz]	240/8.5
Force factor [Bl]	5.2
VAS [l]	6.0
Qms	2.40
Qes	0.44
Qts	0.37



OD: 125 mm	CD: 98.2 mm
FT: 4 mm	ID: 64 mm
MD: 92.5 mm	HD: -



Frequency response: 2.83V / 1m