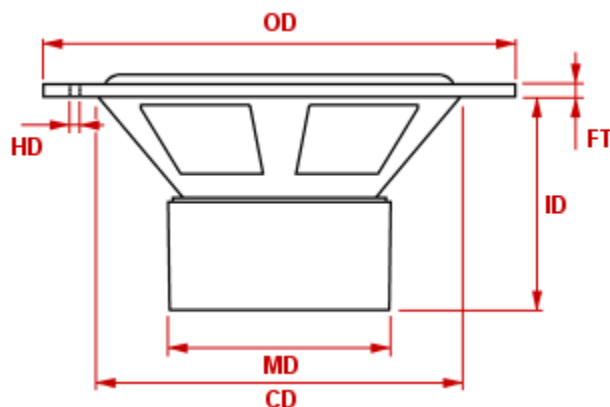




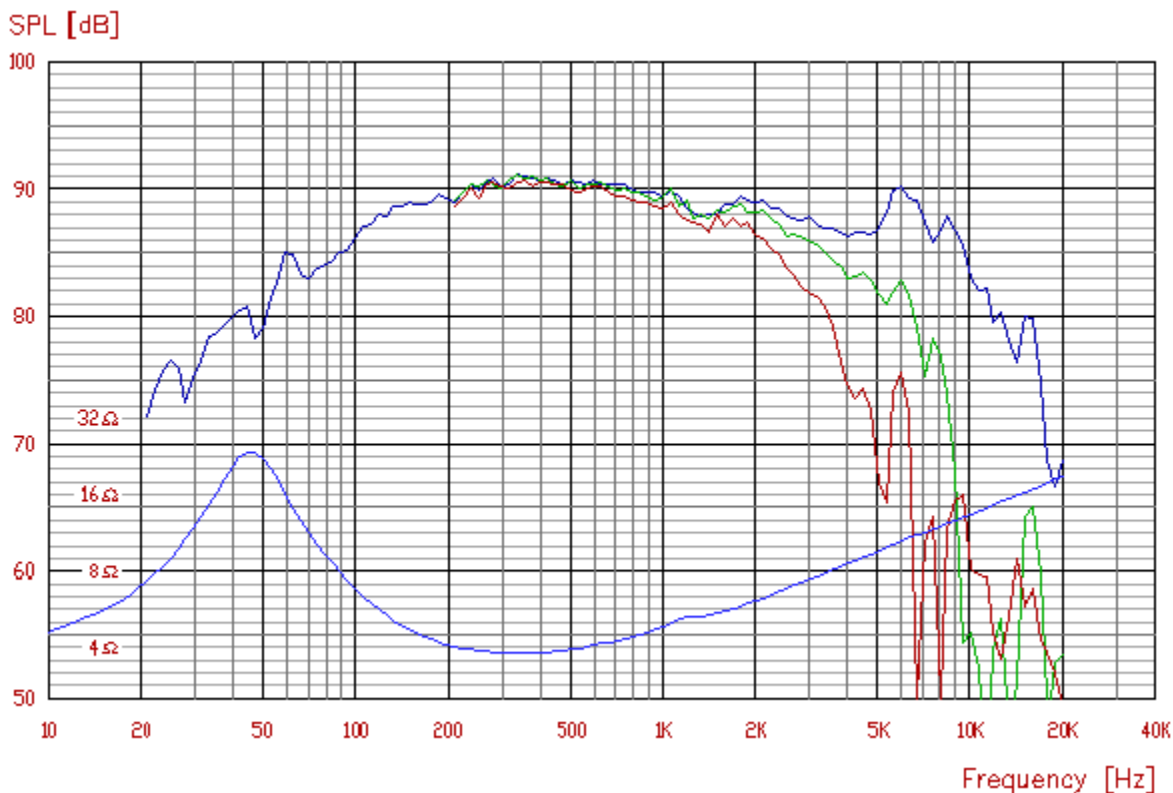
vifa

MG14SK09-04

Nominal impedance [ohm]	4
Voice coil resistance [ohm]	3.0
Nominal power [W]	-
Short term max power [W]	-
Long term max power [W]	-
Operating power [W]	-
Sensitivity [dB]	90
Frequency range [Hz]	40-5000
Free air resonance [Hz]	43
Voice coil diameter [mm]	25
Voice coil height [mm]	12
Air gap height [mm]	5
Voice coil inductance [mH]	0.45
Eff. diaphragm Area [cm ²]	80
Moving mass [g]	9.0
Magnet weight [g]/[oz]	-
Force factor [BI]	5.2
VAS [l]	13.2
Qms	1.95
Qes	0.27
Qts	0.24



OD: 149 mm	CD: 115 mm
FT: 4.5 mm	ID: 78 mm
MD: 108 mm	HD: -



Frequency response: 2.83V / 1m