

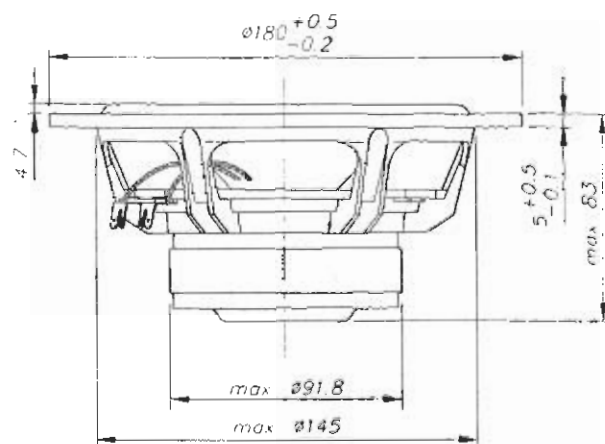
## 6 1/2" WOOFER

### SPECIAL FEATURES:

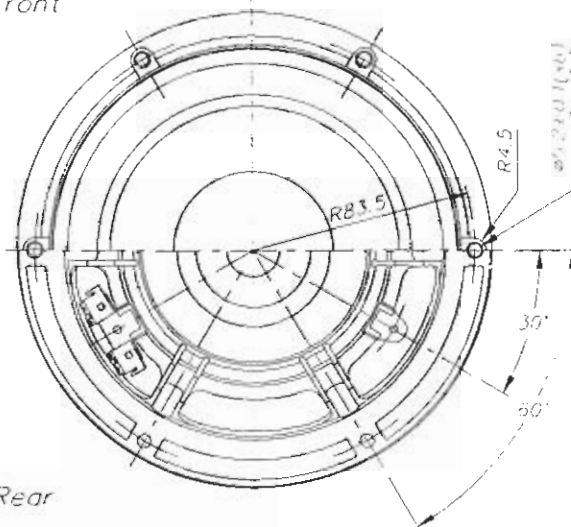
- LONG STROKE, LOW REFLEXION, MAGNESIUM BASKET
- STIFF MOISTURE RESISTANT PAPER CONE
- LOW DAMPING RUBBER SURROUND
- KAPTON® V.C. FORMER
- OPTIMIZED AS CAR-WOOFER

NOMINAL IMPEDANCE	4 Ω
VOICE COIL RESISTANCE	3.0 Ω
NOMINAL POWER (IEC 268-5)	110 W <sup>1)</sup>
SHORT TERM MAX. POWER (IEC 268-5)	300 W <sup>2)</sup>
LONG TERM MAX. POWER (IEC 268-5)	150 W <sup>3)</sup>
MUSIC POWER (DIN 45500)	150 W
OPERATING POWER	12.6 W
SENSITIVITY (1W, 1m) / (2.83V, 1m)	85/88 dB
FREQUENCY RANGE	63-3000 Hz
FREE AIR RESONANCE	63 Hz
VOICE COIL DIAMETER	40 mm
VOICE COIL HEIGHT	14 mm
AIR GAP HEIGHT	6 mm
VOICE COIL INDUCTANCE	0.6 mH
EFFECTIVE CONE AREA	132 cm <sup>2</sup>
MOVING MASS (incl. air)	15.5 g
MAGNET WEIGHT (14.6 oz)	415 g
FORCE FACTOR, BxI	4.8 Txm
Vas	10 ltr
Qms	<b>3.88</b>
Qes	<b>0.80</b>
Qts	<b>0.66</b>

## M18WN-19-04



Front



Rear

## M18WN-19-04

### DISPERSION PLOT

0, 30 and 60 deg.

Input: 2.83 V

Mic.: 1 m

320 ltr. box mounted  
 in infinite baffle.

07.04.94 ABC

Anechoic room 6x7x8 meters.  
 Half space free-field above 100 Hz.  
 Brüel & Kjær 2012 Audio Analyzer.

