

FW167

Features

- Kenaf-Cellgaia hybrid cone
- Reasonable Qts value for easy bass-reflex enclosure design
- Newly designed aluminum die-cast frame
- Ferrite magnet & repulsion type magnet shielded circuit

Specifications

&

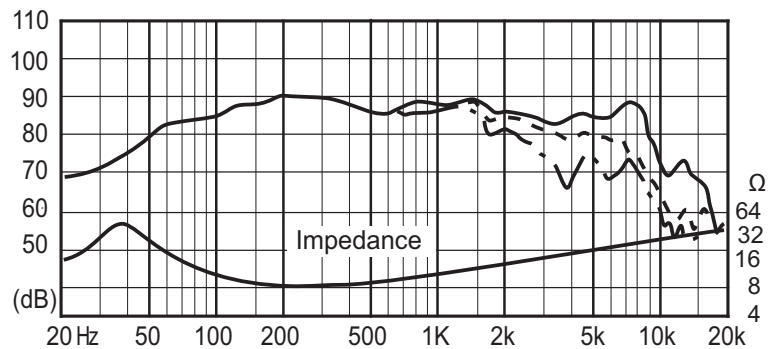
Thiele/Small Parameters

Size	:	160 mm / 6 in
Voice Coil Diameter	:	35.5 mm / 1.4 in
Cast / Stamped	:	Cast
Impedance	:	8 Ω
Reproduction Frequency Response	:	fs - 8 kHz
Sound Pressure Level	:	89 dB/W(m)
Rated Input	:	34 W
Music Power	:	100W
Magnet Material	:	Ferrite
Magnet Weight	:	
(main)	:	440 g / 0.970 lb
(cancel)	:	330 g / 0.728 lb
Net Weight	:	2,659 g / 5.862 lb

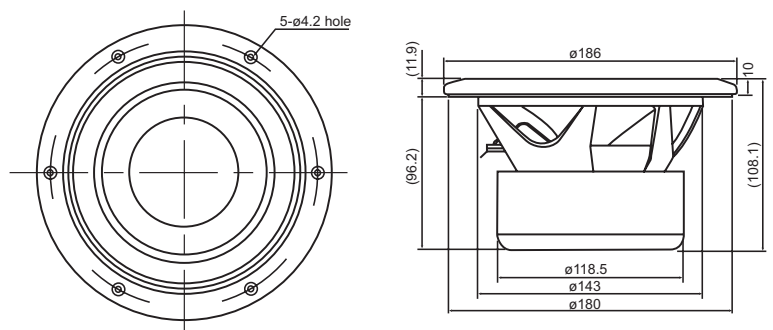
a	:	64 mm
Sd	:	0.0128 m ²
Zn	:	8 Ω
Fs	:	40 Hz
Re	:	7.1 Ω
Le	:	0.071 mH
Qms	:	2.6
Qes	:	0.4
Qts	:	0.36
Mms	:	14.9 g
BL	:	8.2 Telsa/m
Vas	:	25.22 L
Xmax	:	1.5 mm
Eff/η0	:	0.43 %
Cms	:	0.0011 mm/N
EBP	:	100



Frequency Response / Impedance



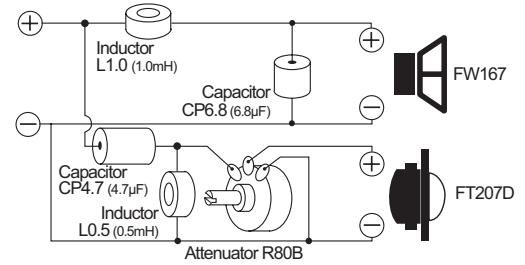
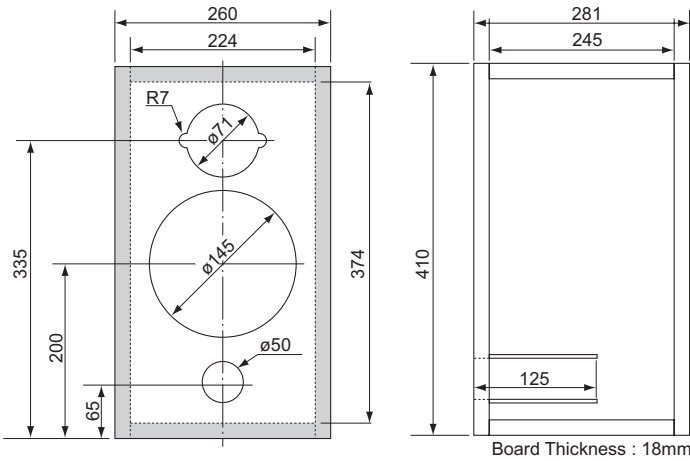
Dimensions & Mounting Information



Overall Diameter	:	186 mm / 7.3 in
Baffle Hole Diameter	:	143 mm / 5.6 in
Depth	:	108.1 mm / 4.2 in

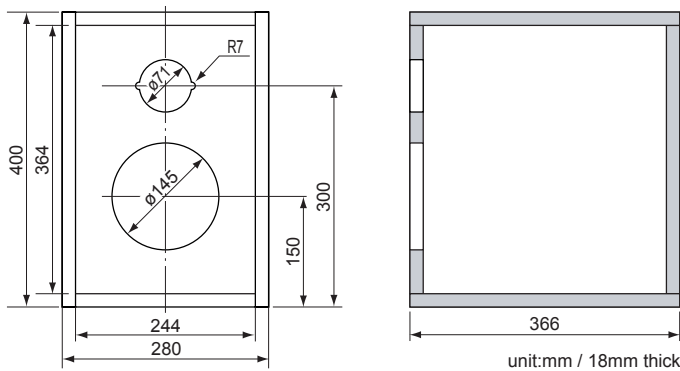
FW167

Recommended 2 way Bass Reflex Type Enclosure



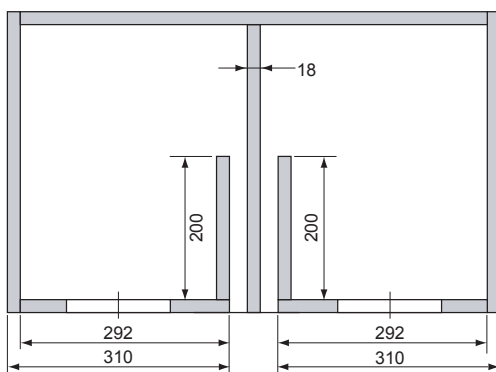
Example of FW167/FT207D, 2 way standard bass reflex type enclosure. Internal volume is 20 liters tuned to approximately 43Hz (Fb). Model 'R80B' attenuator is also used for varying tweeter level.

Recommended 2 way Closed Type Enclosure



This is an example of 2 way system using FW167/FT207D with the closed type enclosure. Internal volume is 30 liters . The same network as above bass reflex example can work properly.

2 x FW167 sub-woofer system



This is an example of sub-woofer system using FW167 x 2pcs with bass reflex type enclosure. Each cavity's internal volume is approx. 23 liters and tuned to 49Hz (Fb). Installing terminal for each, it can be driven L/R independently or center sub-woofer (4Ω) with wired in parallel.

