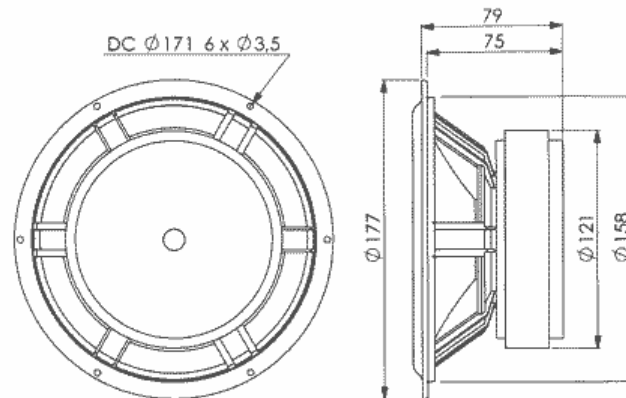
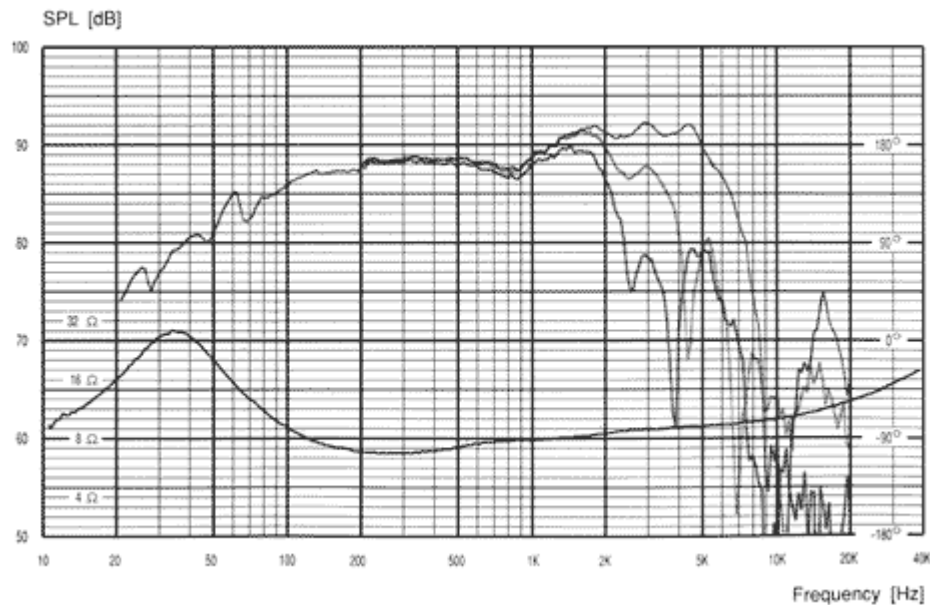




18W/8543-00



Characteristic sensitivity (2.83V / 1m)	: 88.5 dB
Recommended frequency range	: 30 - 4000 Hz
Free air resonance frequency, f_s	: 30 Hz
DC resistance, R_e	: 5.5 ohm
Voice coil inductance, L_e	: 0.2 mH
Effective piston area, S_d	: 135 cm ²
Moving mass incl. air, m_d	: 15 g
Mechanical loss, R_m	: 2.0 Ns/m
Force factor, BL	: 7.8 Tm
Equivalent volume, V_{as}	: 49 ltr.
Mechanical Q-factor, Q_{ms}	: 1.4
Electrical Q-factor, Q_{es}	: 0.26
Total Q-factor, Q_{ts}	: 0.22
Excursion, lin./max.	: $\pm 6.5 / \pm 10$ mm
Voice coil diameter	: 42 mm
Rated power handling	: 80 W
Net weight	: 2.4 kg



Frequency response: 2.83V / 1m